

AURA SERIES

Towel rack



AI1323B
Black finish



AI1323C
Bright finish



AI1323CS
Satin finish

General Description

- Bathroom towel rail with shelf, with four fixation points and a hidden wall mounting system made of AISI 304 stainless steel, from Mediclinics' Aura series.
- With an up-to-date design which brings elegance and creativity to your bathroom, this towel rail with shelf allows you to keep your towels tidy and nearby for a greater level of comfort when getting out of the shower.
- The high quality of the stainless steel makes this bathroom accessory very resistant and durable.
- Its four fixation points and hidden wall mounting system allow this bathroom towel rail with shelf to be securely fixed to the wall with the screws perfectly out of sight.
- An essential bathroom accessory, this towel rail is ideal for bathrooms in hotels, hospitals and nursing homes, as well as for your own home.
- Product suitable for public use.
- Includes stainless steel hardware for installation on brick walls.

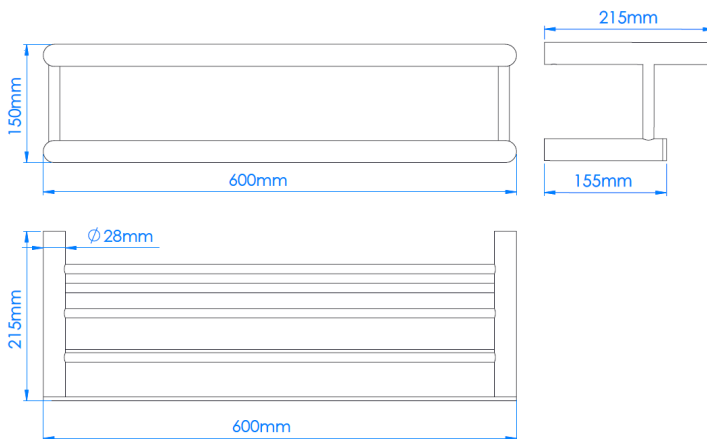
Components and materials

- **AI1323B:** towel rack with shelf made of AISI 304 stainless steel black finish.
- **AI1323C:** towel rack with shelf made of AISI 304 stainless steel bright finish.
- **AI1323CS:** towel rack with shelf made of AISI 304 stainless steel satin finish.
- **TOWEL SHELF:** consisting of a 5mm thick straight front bar and 3 Ø 12mm cylindrical bars, all made of AISI 304 stainless steel.
- **TOWEL RAIL:** made of AISI 304 stainless steel cylindrical tube of Ø 12mm and welded to the two upper wall supports.
- **WALL BRACKETS:** four units, made with AISI 304 stainless steel cylindrical tube of Ø 28mm and 1.2mm thick. Attached to the bar by means of a threaded stud and nut.
- **WALL ANCHORS:** four units, made of AISI 304 stainless steel tube of Ø 22mm and 1.0mm thick. Attached to the wall bracket by means of a screw. It has two oval holes (one vertical and one horizontal) to facilitate wall mounting. They always remain hidden from the user's view.

Technical Specifications

Dimensions	600 x 150 x 215 mm
Front bar thickness	5 mm
Shelf bar tube diameter	12 mm
Towel rail tube diameter	12 mm
Wall bracket diameter	28 mm
Wall bracket thickness	1.2 mm
Net weight	2.5 Kg

Dimensions



Dimensions: ± 4%